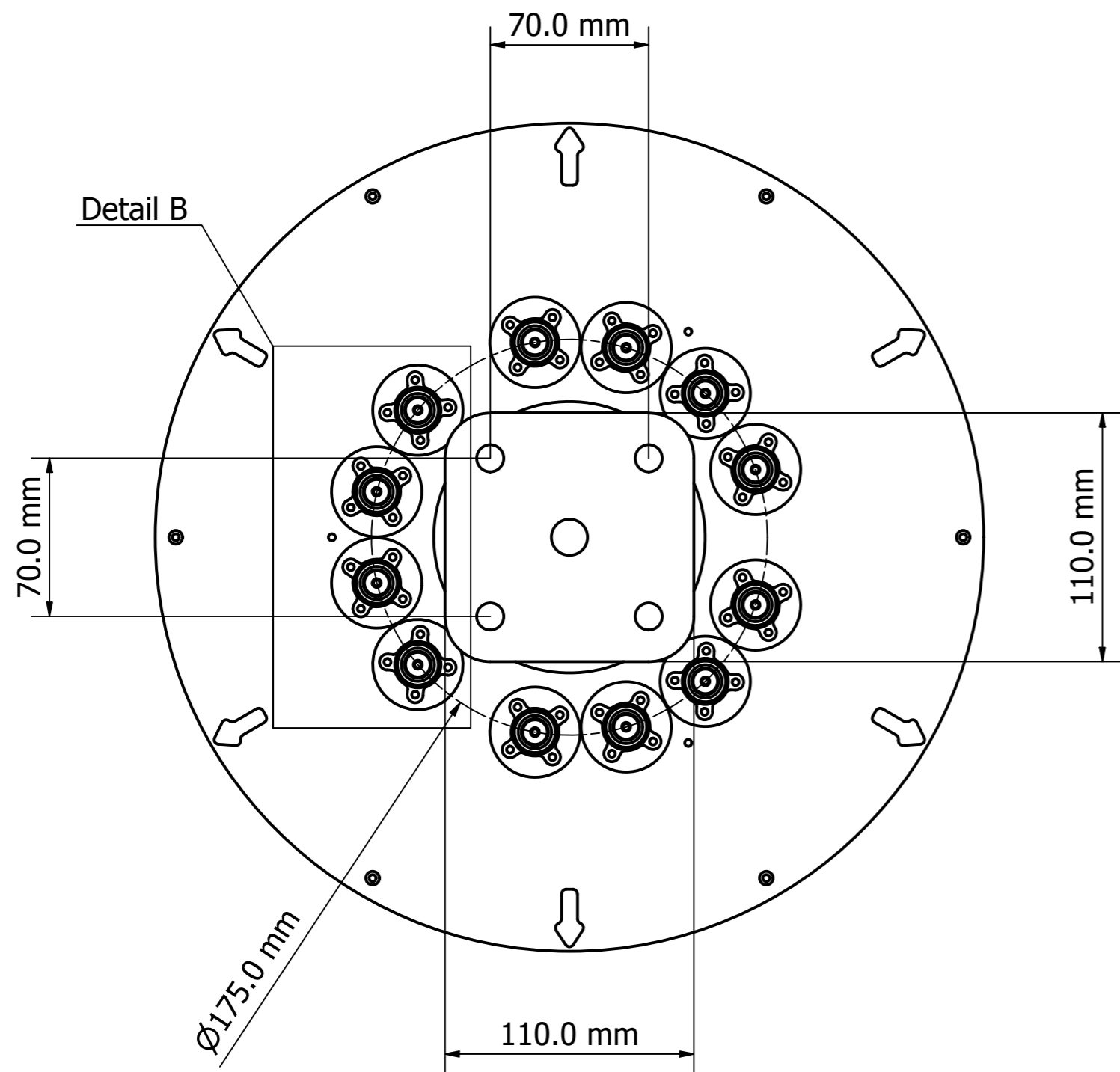
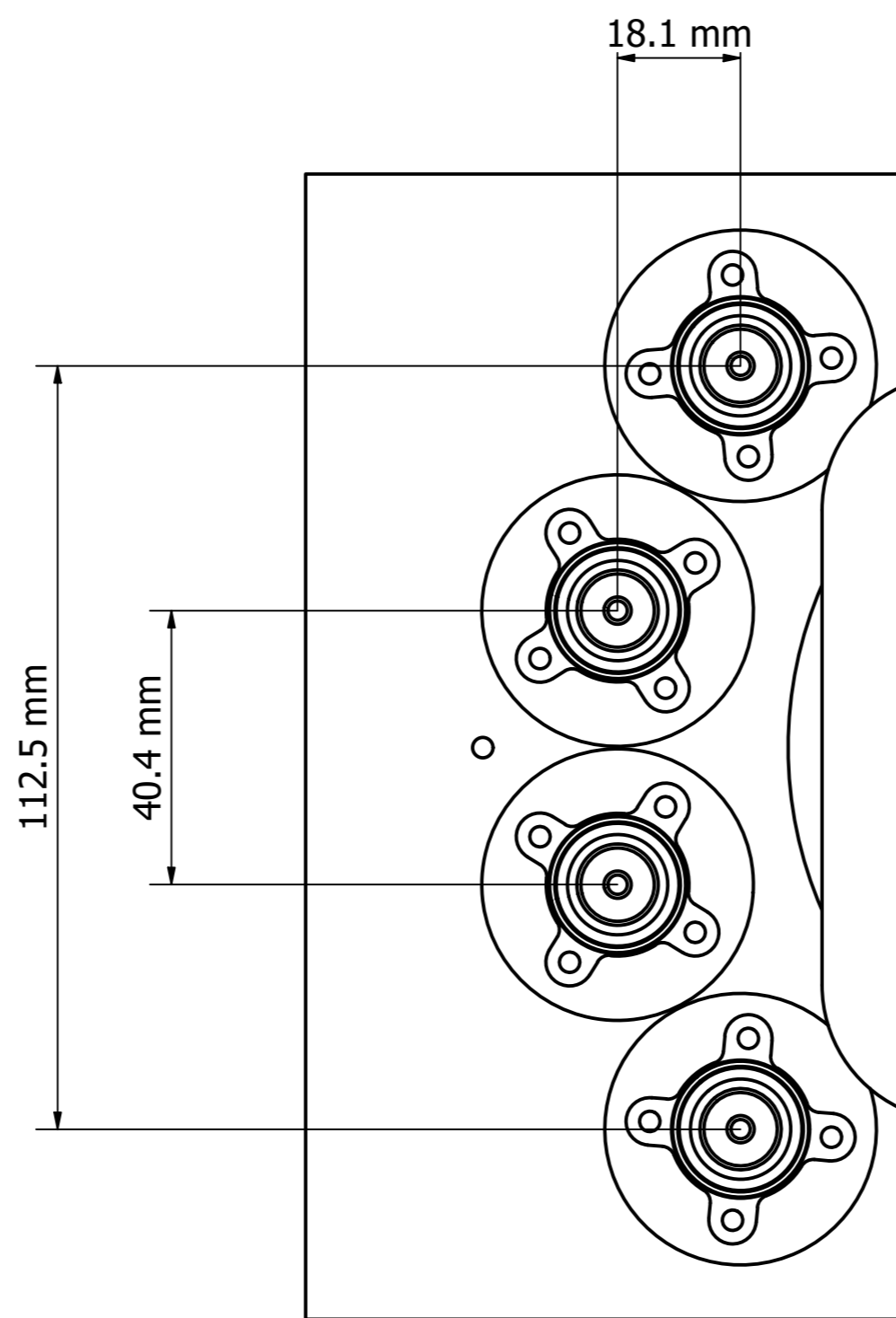


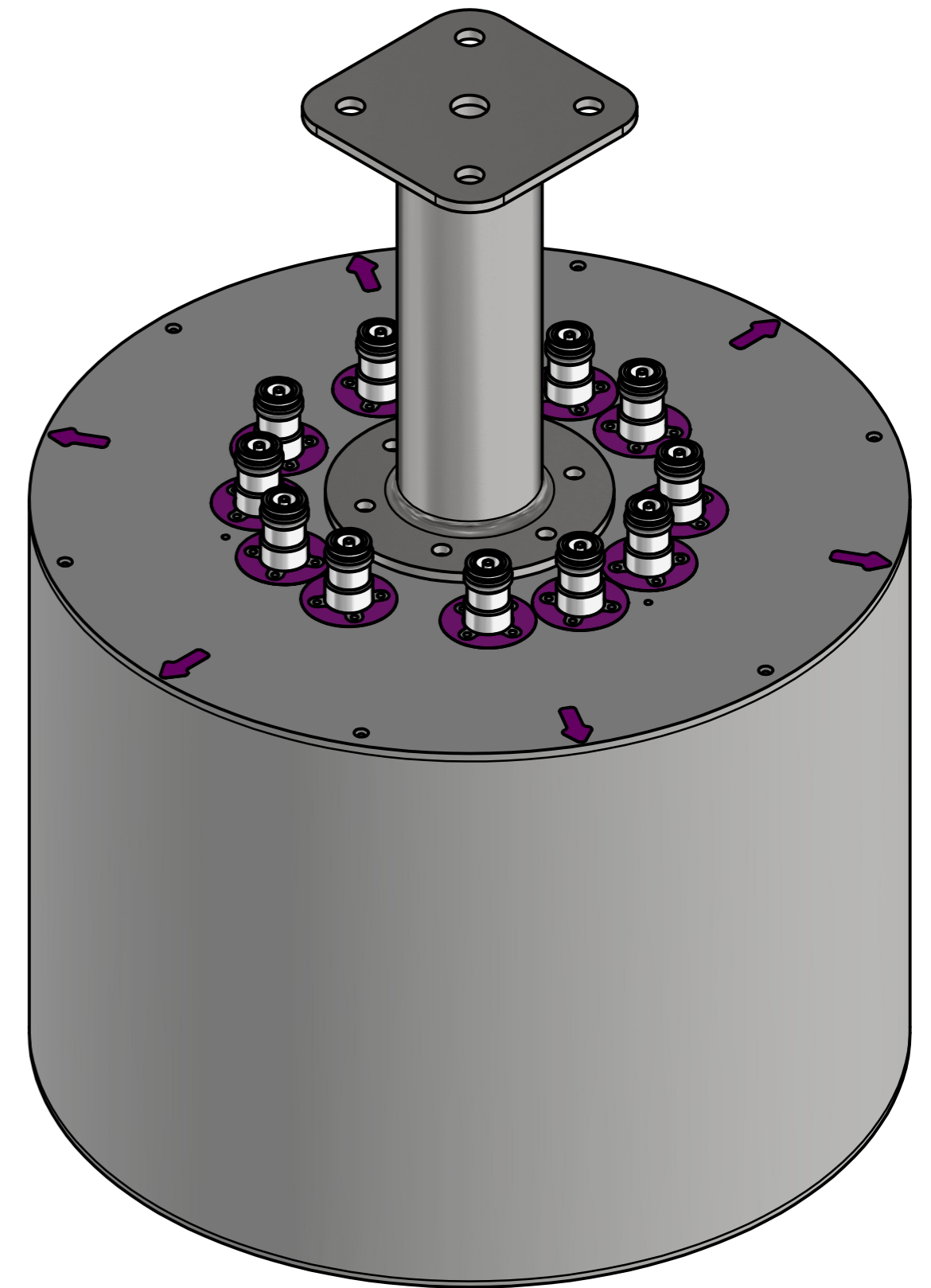
Designed by	Drawing by	Date	Approved by	Date	Quantity	Material	
VIGNESH	LAWRENCE	14/3/2024	PAVEL	15/3/2024			
MATSING LENS TECHNOLOGY ENABLED							
MS-LP-6-C2						Revision	Sheet
MS-LP-6-C2 (mm)						1.0	1 / 2



Detail B



Detail B



Designed by VIGNESH	Drawing by LAWRENCE	Date 14/3/2024	Approved by PAVEL	Date 15/3/2024	Quantity	Material
MATSING LENS TECHNOLOGY ENABLED						MS-LP-6-C2
					MS-LP-6-C2 (mm)	Revision 1.0
					Sheet 2 / 2	